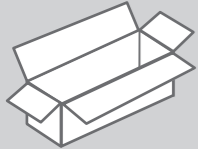
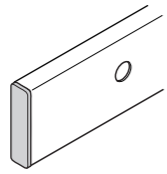


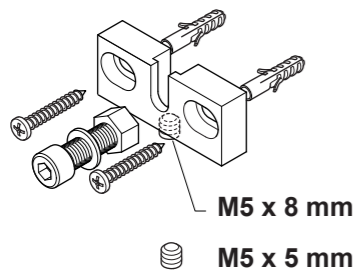
**1** Set sliding door fittings Runway



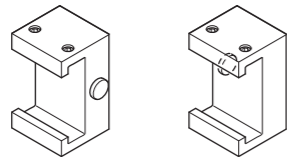
**2** Guide rail with cap



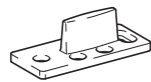
**3** Wall fixtures



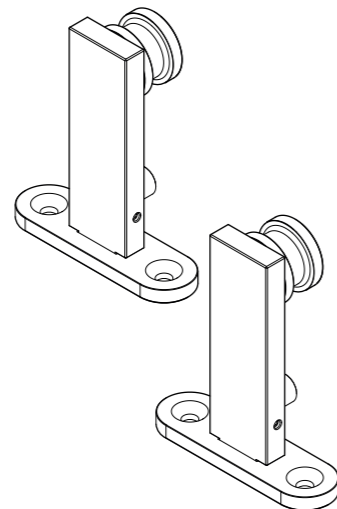
**5** Door stopper- set right and left



**6** Bottom guide (without screws and dowels)



**4** Trolley complete



**7** Tools



- Attention
- Screw on
- Screw on
- Drill
- Dowels
- Level
- Perpendicular
- Measure Mark
- Visual inspection
- Tool
- Measure
- Clarify questions
- At right angle
- 2 people required

Comply with all general safety regulations when installing the sliding door fittings!

Installation to be completed by qualified licensed contractor.

Be sure to tighten all screw connections one week after starting to use the sliding door fittings!

Never use scouring agents to clean the sliding door fittings; rather use commercially available stainless-steel cleaners!

Set	Set / Stück					
1 Artikel-Nummer	2	3	4	5	6	7
110.00109	1	3	1	1	1	1
110.00110	1	4	1	1	1	1
110.00111	1	4	1	1	1	1
110.00112	1	4	1	1	1	1

**ABP beyerle**

ABP-Beyerle GmbH

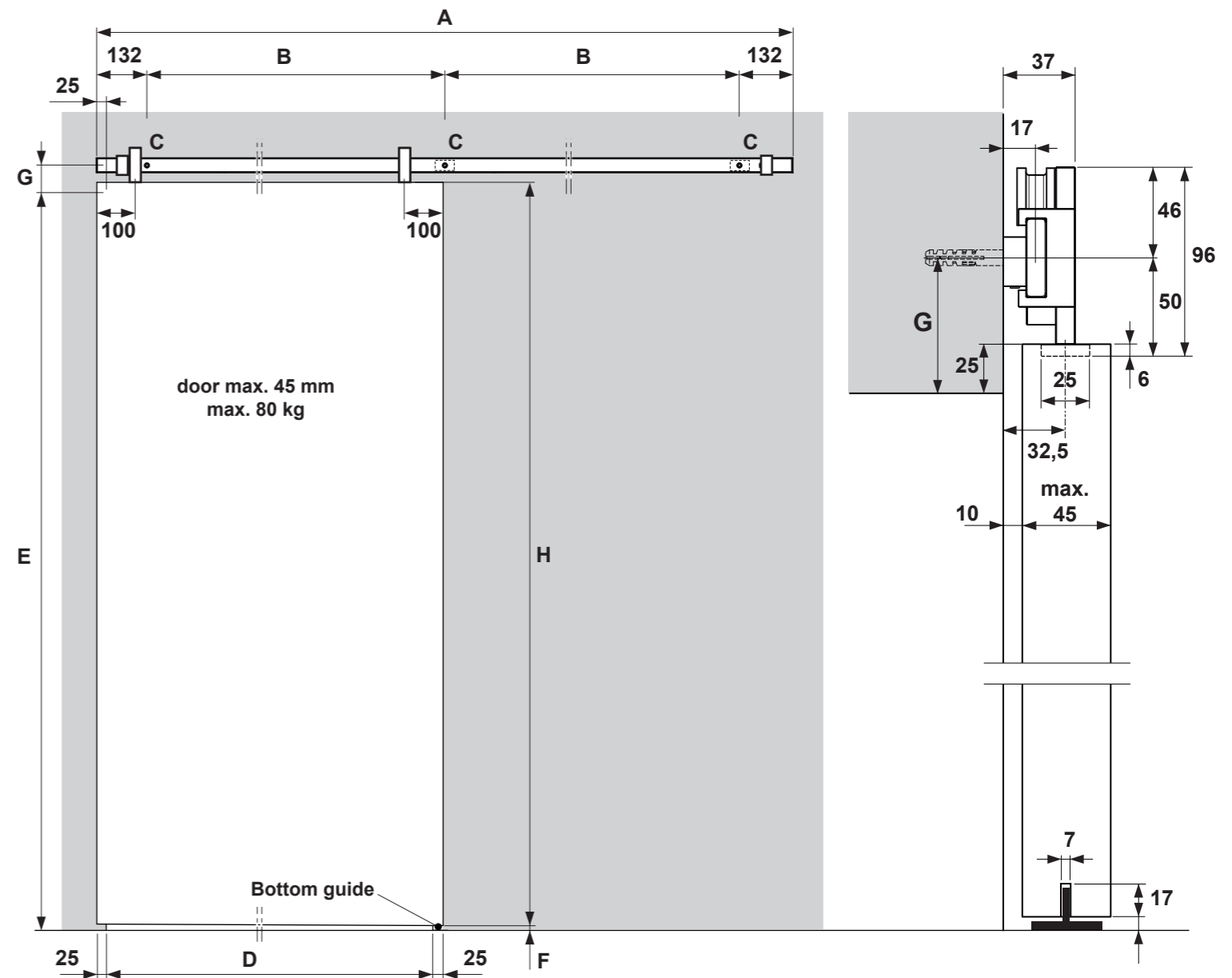
Im Schollengarten 24 b, D - 76646 Bruchsal (Germany)

Tel. + 49 - (0) 7257 / 9127 - 0, Fax + 49 - (0) 7257 / 9127 - 29, Email info@abp-beyerle.de, www.abp-beyerle.de

# Installation instructions

## Sliding door fittings Runway

for wood doors ( max. 45 mm )



**Complete-set's**

Set Art. nr.	A mm	B mm	C piece	D mm	E max. mm	F mm	G mm	H max. mm (H=E-F+25)
110.00109	1804	770	3	750-900	2500	7-10	69	2518
110.00110	2104	613,3	4	910-1000	2500	7-10	69	2518
110.00111	2304	680	4	1010-1120	2500	7-10	69	2518
110.00112	2544	760	4	1130-1250	2500	7-10	69	2518

Right to make technical changes reserved - Dimensions in (mm) - Version 01.2015  
© by ABP-Beyerle GmbH

**ABP beyerle**

65\_30\_00.0053\_Runway\_Holz\_GB

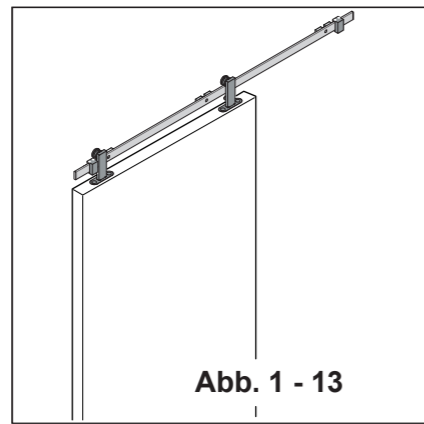
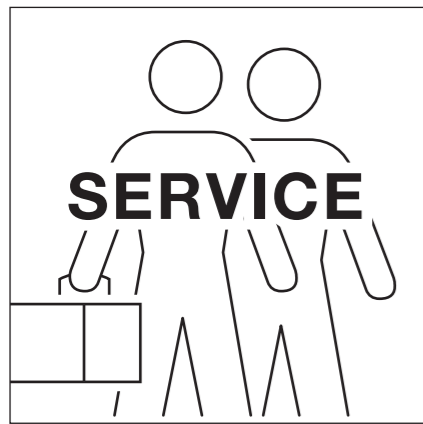


Abb. 1 - 13

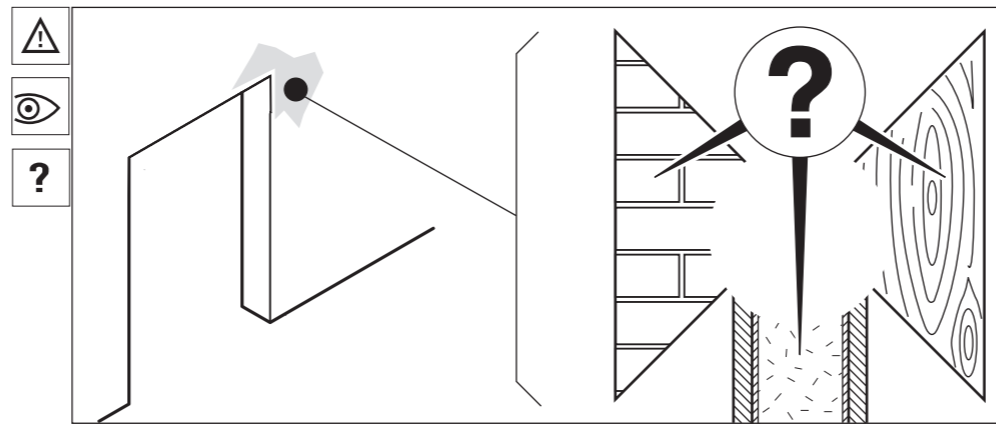


Abb. 1

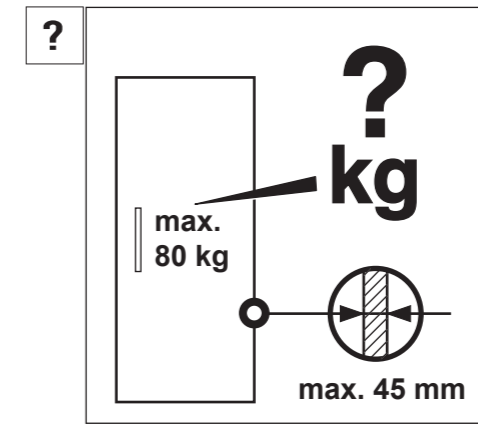


Abb. 2

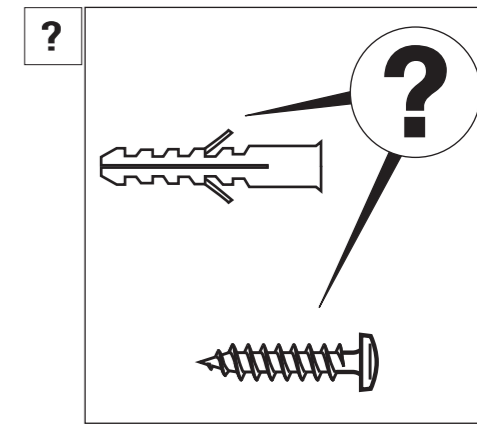


Abb. 3

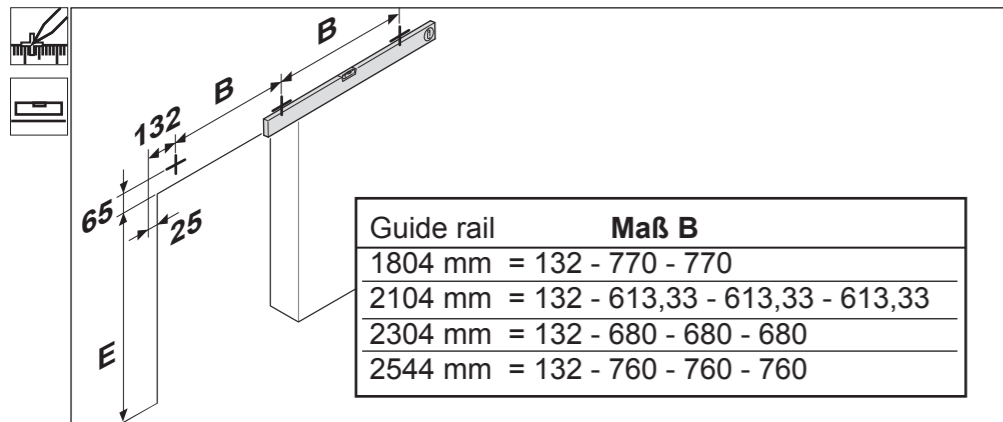


Abb. 4

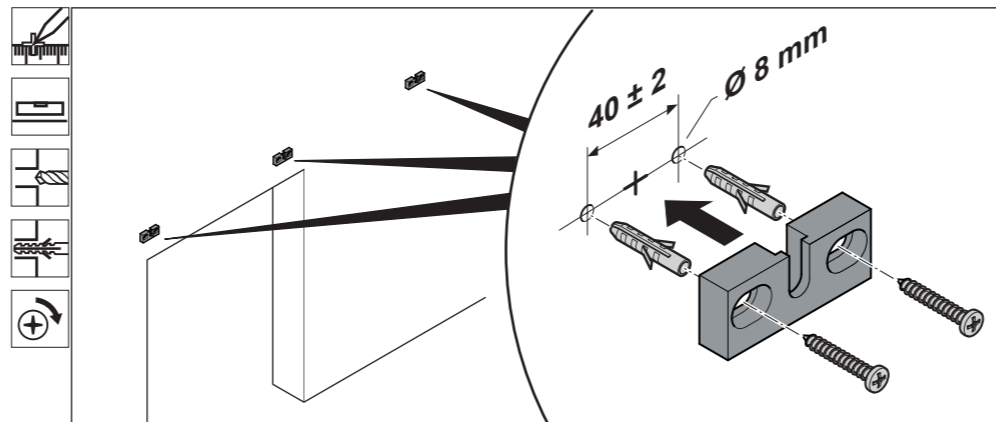


Abb. 5

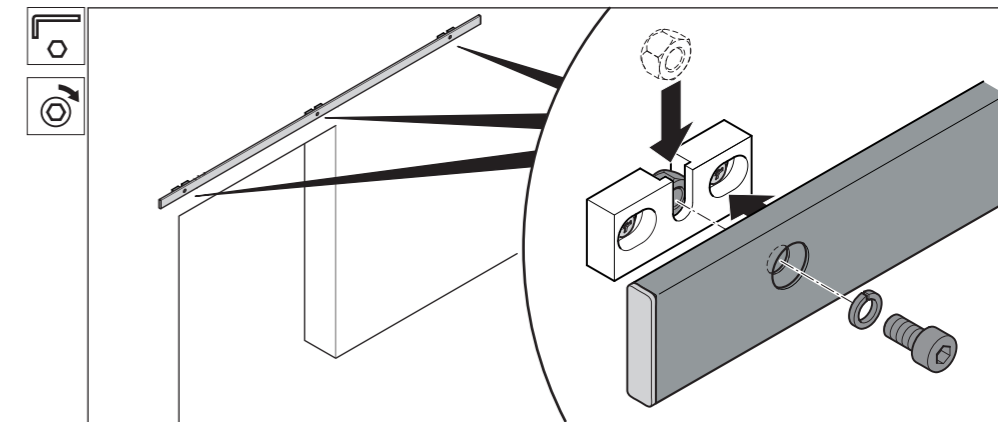


Abb. 6

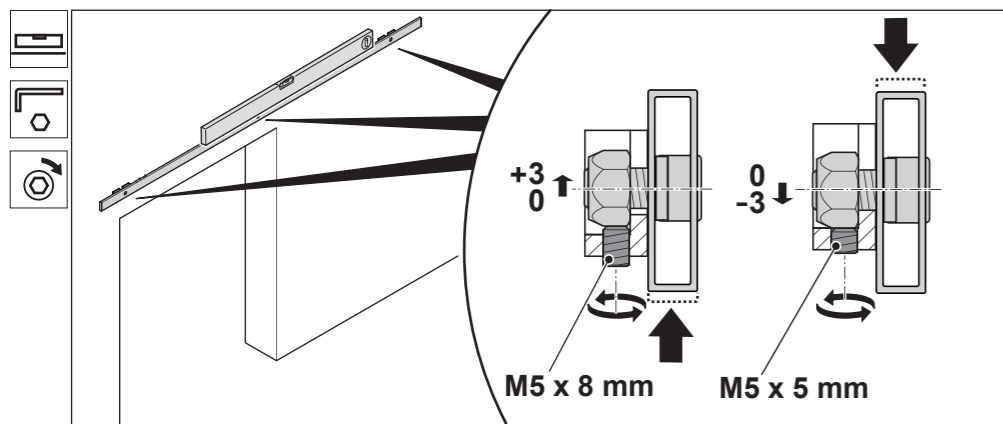


Abb. 7

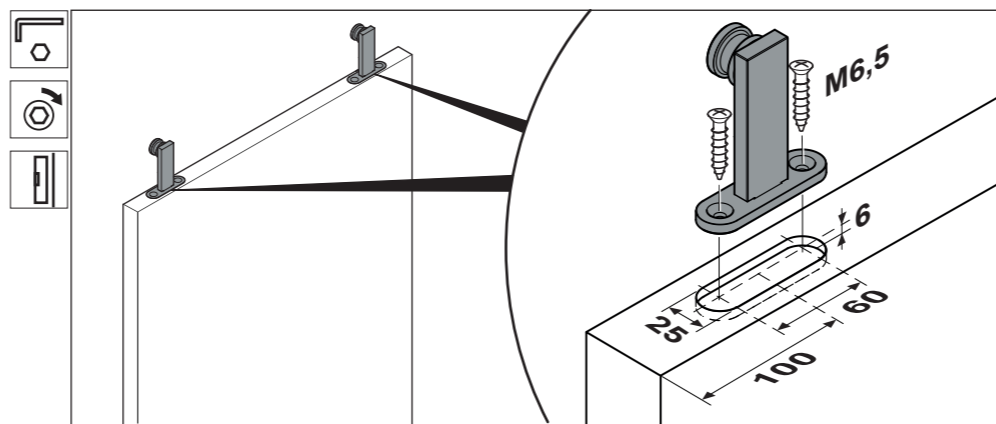


Abb. 8

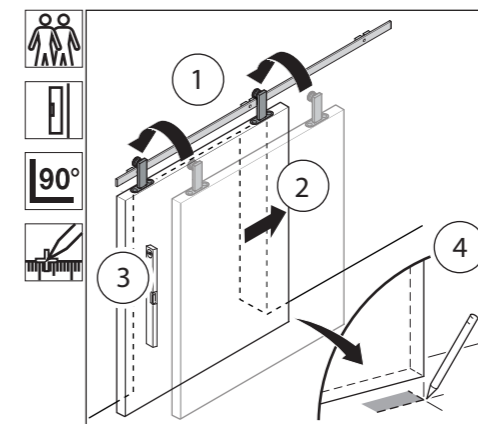


Abb. 9

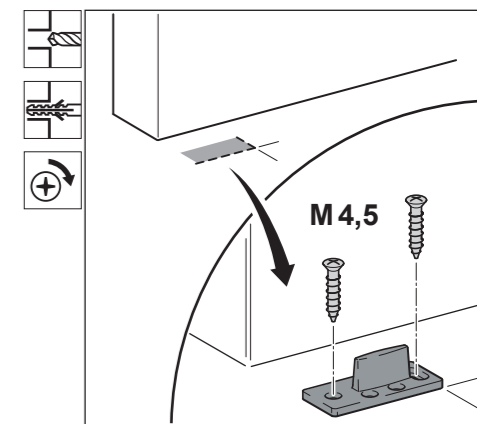


Abb. 10

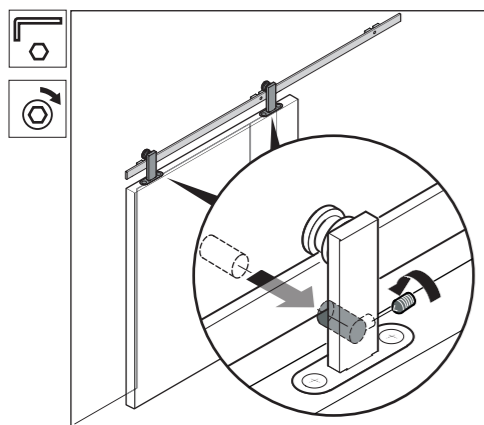


Abb. 11

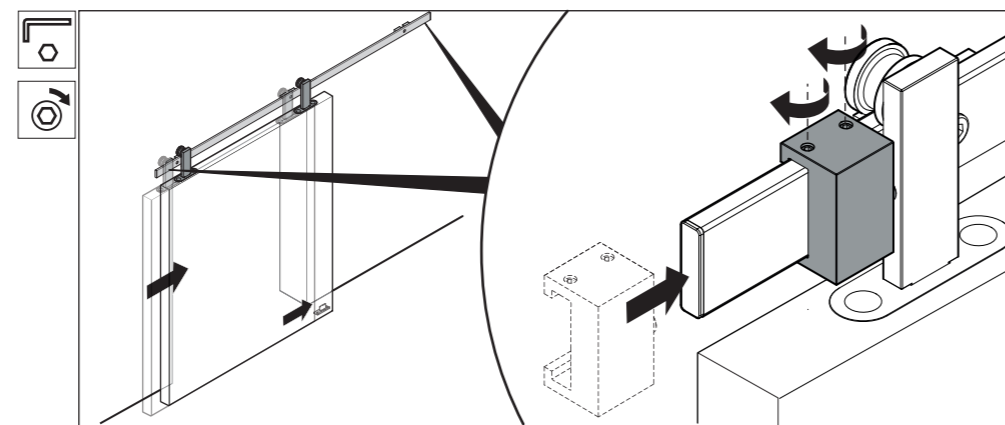


Abb. 12

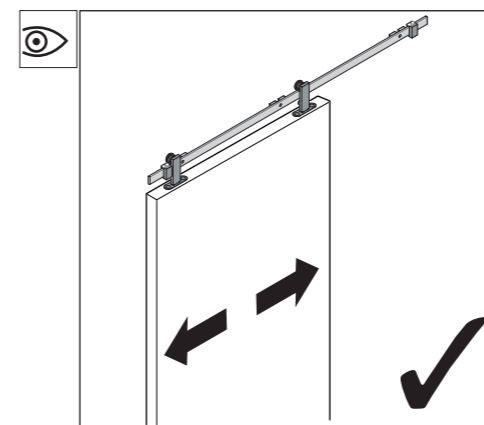


Abb. 13

## Installation instructions Sliding door fittings Runway for wood doors ( max. 45 mm )